

## NEW SERVICE CHECKLIST

- Have you read the New Service Guide book?
- Do you have or have you obtained a legal address (Page 2)?
- Have you completed, signed and dated the line application form?
- Have you called in or mailed your completed line application form along with your engineering deposit to your nearest New Construction department?
- Have you applied for an electrical permit (Page 4)?
- Do you need a temporary service (Page 4)?
- If a price for your service has been quoted, have you submitted the payment and the signed line extension application to our office? This must be done before the job can be scheduled. The signed line extension application must be submitted even if there are no charges.
- Is site preparation and grading complete per our requirements (Pages 2 and 3)? These activities must be completed before utility facilities are installed.
- Are all customer-owned buried facilities (sprinkler lines, septic systems, satellite dish cables, etc.) clearly marked? If not, CNMEC will not be responsible for damages (Page 3).
- Have you made any arrangements for the installation of any other utilities (phone, cable TV, etc.)?
- On the locations with multi-socket (ganged) electrical meter bases, have the individual meter sockets been tagged with placards indicating where the electricity will be used? (for example: Apartment or Unit number, address, etc.) (Pages 3 and 4).
- Questions? Please call your nearest New Construction Department.

## New Service Guide

### New Construction Department

If you're building a new home or performing any construction that requires a change to your electric service, it's important you contact Central New Mexico Electric. Our helpful staff will work with you to initiate any construction projects and will be available from 8 a.m. to 4:30 p.m. to answer any questions. Please use the list below to contact the office nearest to you.

#### Contacts . . . .

- Moriarty/Edgewood areas  
810 First Street  
P. O. Box 669  
Moriarty, N.M. 87035  
Phone: (505) 832-4483  
Fax: (505) 847-1020
  
- Mountainair area  
301 North Summit Ave.  
P.O. Box 157  
Mountainair, N.M. 87036  
Phone: (505) 832-4483  
Fax: (505) 847-2900

### Customer Contact Center

Once your service is installed, Central New Mexico Electric's friendly representatives can take care of your requests and answer any questions you might have about your account. Please give us a call, and we will be happy to assist you with most service-related requests, including

- Connecting or Disconnecting your service
- Reporting any problems with your service
- Updating account information
- Bill related inquires
- Payment options
- Budget billing information
- Credit related inquires

# NEW SERVICE GUIDE

## New Construction Guidelines

At Central New Mexico Electric we're committed to providing you with the fastest, most convenient service possible when installing your new electric service. We understand that the new construction and major renovation projects require considerable up-front planning to ensure jobs run smoothly. Part of that planning includes coordinating with us so your new service can be connected in a timely manner.

We ask that you work with us through the construction process by following our electric guidelines. These guidelines begin with a short overview explaining the steps required to efficiently move your request from initiation to completion. Following this overview is the section that provides you more detailed information on our guidelines and related government requirements.

If you have additional questions after reading these guidelines, please call your local New Construction department. These guidelines, and any updates, can be found on our website at [cnmec.org](http://cnmec.org).

### Step 1 – Service Request

To initiate your request for an electric service, please review and complete the line extension application for new service found on the last page in this guide. We require this information to initiate your request for service and to begin planning for installation. Your new service location must have a legal address or physical address. Contact your city or county surveyors or planning office to obtain a new address. Note, you are responsible for contacting and arranging for the installation of other utilities such as phone or cable TV.

You may call your local New Construction department with your information, or you may complete the application and mail it to the New Construction department nearest to you. If you choose to provide the first page of information by phone, please do so. Once we have received the information requested on the application along with your engineering deposit, we'll enter your information into our system, and your request will progress to step 2. You may also submit your application on line to [Juanita.hudson@cnmec.org](mailto:Juanita.hudson@cnmec.org).

### Step 2 – Estimate Preparation

After receiving your application and engineering deposit, we will send a CNMEC representative to your site, then a cost estimate will be prepared. If we need any information, we may need to meet you on site. Once the estimate is complete, we will notify you of any costs you'll be required to pay. For an explanation or standard charges, please refer to "Charges for Utility Services" section on page 4.

### Step 3 – Site Preparation

Before we can install service to your site, you're responsible for preparing your site.

1. Clear trees, brush etc. out of trench route and right-of-way.
2. Obtain right-of-way easements. Notarized signatures on right-of-way agreements are required. We'll provide the necessary forms.
3. For underground installations all excavation and backfilling must be performed by applicant or applicant's contractor. It is the applicant's responsibility for the correct service location within the easement. The minimum cover over the buried facilities must be at least 42 inches, and the service route across your property must be completely backfilled to final grade.
4. The buildings foundation must be complete or the site must show evidence of construction in progress.

## New Construction Guidelines Continued

5. For electric services, the meter base or meter pedestal must be installed by a licensed electrical contractor and inspected by the appropriate government agency.
6. Your electric meter must be protected from snow and ice falling from a roof, drain water, or other causes of damage. Supplemental protection may be required if the location selected does not offer adequate protection.
7. Electric meters cannot be installed under or inside of any decks or porches.
8. If the service will cross under concrete, walkways only, 3 inch PVC, Schedule 40 conduit for the service will be required. (You can save considerable expense by having the conduit installed before the concrete is poured).
9. Physically locate and mark on your site any underground facilities you may own prior to service installation. CNMEC is not responsible for damage to any unmarked facilities.
10. After the service route is to final grade (final ground level), please call CNMEC to schedule a time to energize your Service. \*Note - The service will not be energized if the service route is not to final grade.

## New Service Guide

### New Electric Construction Guidelines

The following guidelines are intended to provide a general overview of the requirements for a new electric service. Because each construction project is different, we encourage you to call us with any questions or concerns you may have regarding your project. Please contact the New Construction department in the division nearest you and we will be happy to help.

### Charges for Electric Service

To all customers requesting a new electric service, CNMEC will provide an electric line extension from the distribution electric line or transformer. Installation will be subject to an estimate. We will also provide a meter free of charge. You are required to furnish all right-of-ways necessary to install the electric distribution line extension and service. The standard underground line extension and service does not include additional construction work such as boring under roads or streets, trenching of any kind, restoring asphalt or concrete surfaces, and any other unusual construction obstacles. You will be charged for additional construction work that is not included in the standard line extension and service. If this additional work is required after the initial payment has been made, the additional charges must be paid prior to the meter being set. Should you be responsible for paying construction costs for distribution lines, CNMEC will contribute towards the construction costs in the form of a line extension allowance.

The line extension allowance will be credited against the construction costs. For residential customers, that allowance is \$6750.00 for a singlewide mobile home on a permanent foundation, \$6750.00 for a doublewide mobile home on a permanent foundation, \$6750.00 for a stick built home, and \$6750.00 for small services. For commercial and irrigation customers call CNMEC. If any construction costs remain after the allowance is applied, you will be responsible for paying the balance before your service can be installed. Customers will receive a refund if the final actual costs are less than the estimate total. If actual costs are more than the estimate total no additional charge to the customer. In addition to costs associated with installation, you are responsible for any private roadway, landscape, or vegetation restoration after the service is installed. Opening and closing the ditches (minimum of 42 inches). **Ditches must be backfilled before we can energize the service.**

## Inspections and Permits

You must obtain and provide our CNMEC office a copy of an electrical permit for all projects involving electrical wiring. Contact CNMEC to determine who issues permits in your area. Many state agency's also require inspections of customer wiring before CNMEC can energize your service. All new or remodeled installations must conform to applicable provisions of the National Electric Code (NEC), National Electrical Safety Code (NESC), State of New Mexico rules and regulations, city and county ordinances and codes, and rules on file with or issued by the New Mexico Public Service Commission.

## Electric Metering Standards

CNMEC reserves the right to specify the location of our meters. All meters are to be located outdoors on the side of the building closest to the transformer serving your property. Please consult with CNMEC regarding the location of meters for service conversions. Electric meters must have a minimum working space of 30 inches wide across the front of the meter base and a 36 inch clear zone in front. The electric meter height must be a minimum of 5 feet above finished grade but no more than 6 feet, and located a minimum of 6 inches from the edge of the building. Mobile home pedestals must be a minimum of 42 inches above finished grade and located no more than 30 feet and no less than 3 feet from the home. Please see the "Meter Set Location" diagram shown in the back of this manual for an illustration of these requirements.

On all new or remodeled multiple-occupancy buildings, each building or premise must be individually metered. Each building or premise must have its address and unit numbers permanently attached to the unit doors, the meter bases, and the individual apartment/unit breaker boxes prior to the installation of the meters. Permanent meter bases must be properly secured to the building. All residential meter bases must be bus bar type and have meter sockets rated a minimum of 200 amps for underground services or 200 amps for overhead services. Must include a main disconnect circuit breaker outside.

Meter base lugs must be able to accept 4/0 aluminum wire. All meter bases must be approved by the State of New Mexico. All residential and non-residential metering must meet the following standards.

1. 200 amp minimum meter socket rating with a bus bar type meter base. Exceptions require approval by CNMEC.
2. Services between 0-200 amps typically utilize self-containing metering.
3. 400 amp (320 amp continuous) self-contained meter installations are also available. A main disconnect circuit breaker outside is required. Services greater than 400 amps typically utilize current transformer (CT) metering.

## Temporary Electric Service

In overhead or underground distribution areas, CNMEC can connect a metered temporary service. In overhead distribution areas, if you install an approved temporary service pole and associated hardware within 80 feet of an overhead transformer, we can install a service and meter. The diagram in the back of this manual provides a description of and the requirements for the temporary service pole and hardware. A CNMEC representative must approve the assembly, compaction and installation of the pole. In underground distribution areas, if you install a temporary meter pedestal within 5 feet of a padmount ground transformer or junction box, we can connect the service and install a meter. The diagram in the back of this manual provides a description of and the requirements for the temporary meter pedestal.

Regardless of which temporary service option you choose, please be safe. New Mexico law requires that you locate all utilities on your site before you begin digging for your temporary service pole or meter pedestal. You can have your utilities located free of charge by calling the National 811 "Call Before You Dig" number. You must call at least two days before you plan to dig.

## Permanent Residential Services

To aid in preparing for the installation of your electric service, this section provides specifications on the three most common service types for residential services. Please see the three diagrams in the back of this manual named pedestal metering.

If you require more detailed information on the specifications for larger service installations, please see the 2 pages in the back of this manual named instrument Transformer cabinet.

## Working on Existing Utilities

There is a charge for conversion of a residential overhead service to an underground service. This charge does not include additional construction work such as boring under roads or streets, trenching in frozen or rocky ground, restoring asphalt or concrete surfaces, or any other unusual construction obstacles. The charge will be based on the estimated project cost. If you require relocation work to accommodate new construction on your property, the relocation charge will be based on the estimated project cost. You are responsible for all underground excavation and backfilling to grade as well as any landscape or vegetation restoration.

## Guidelines for Customer Trenching

Customers requesting an underground installation, a reroute, or conversion of electric distribution lines, must contact the New Construction department in the division in which the work is to be performed. The excavation route will be determined and staked by a CNMEC representative. Changes in routing must be approved by CNMEC prior to excavation. The customer is responsible for securing all necessary excavation permits including, but not limited to Soil Conservation, Corps of Engineers, City, County, and State Department of Transportation, and public and private easements. Permits and easements will be assigned to CNMEC. The customer is responsible for obtaining locations for all existing underground facilities and accepts the responsibility for any and all damages associated with the excavation and backfill.

CNMEC has joint-use agreements with many telecommunication companies, and phone, water, cable TV conductors usually are allowed in the same trench. **Sewer lines and gas lines are not allowed in the trench.** The customer is responsible for scheduling joint-use installations. The customer is responsible for determining finished grade and providing excavations that assure the facilities will be installed at the proper depth after finished grade is established. For backhoe excavations, spoils must be placed on one side of the trench, a minimum of 2 feet away from the trench to allow for access to install the cable(s). CNMEC will inspect the excavation prior to the installation of the facilities and must be notified at least 1-2 days in advance of the open ditch.

The customer is responsible for providing suitable bedding for the installed facilities. The bottom of the trench shall have a smooth grade and be free of rocks, stones or gravel in excess of 1 inch. If this is not possible, a 2 inch thick bed of sand or clean soil shall be placed in the bottom of the trench. Backfill must not contain any sharp or foreign objects, including frozen chunks of ground. Additionally, backfill within 4 inches of the cable must be free of materials which could damage the cable(s). Backfill within 6 inches of cables or other utilities must be hand compacted; otherwise mechanical compaction is allowed. The customer is responsible for surface restoration and trench compaction, including roadbeds, as required by the landowner, responsible engineer, or government agency. The excavation must be backfilled upon completion of the installation of all utilities before CNMEC will energize the cable(s). Excavations for electric services operating at 600 volts or less must be dug to a minimum of 42 inches.

Excavations for primary cable(s) operating at 600 volts or higher must be dug to a minimum of 42 inches. Excavations for services must terminate at the service location and 2 feet from the source pole, transformer, existing conduit stub, or secondary junction box. Excavations for services and primary cable(s) must follow the routing as approved and/or staked by the CNMEC representative. All conduits must be Schedule 80 PVC gray pipe. Conduit runs must be continuous with no more than four 90 degree turns. All elbows must be ridged, or Schedule 80 slow sweeping.

## Guidelines for Electric Equipment Clearances

It is important to consider placement of obstructions around pad mounted transformers, poles and any other electrical equipment. CNMEC has specified guidelines and requirements for clearances around our poles and electrical equipment. In order to provide safe working space for maintenance, repair and replacement of equipment, the following clearances between fences, shrubs, structures, and other obstructions and the utilities electrical equipment are necessary and strictly enforced. If any obstructions are in violation of these clearances they will be removed or corrected at the property owner's expense. Please keep fences, shrubs, structures and other obstructions 10 feet away from the doors and 4 feet away from the side of the electrical equipment. Obstructions will cause delay when restoring service and may be damaged or removed during service restoration or maintenance. By following these simple clearance requirements you can protect your property from being damaged or removed and it will help assure reliable electric service and quick restoration of power.

## Guidelines for Tree Planting

CNMEC is extremely interested in where and how trees are planted because a large percentage of all power outages are tree related. Outages can occur when branches contact power lines, tree limbs sever power lines, or when uprooted trees pull down lines and poles. Furthermore, tree branches growing into power lines can be extremely dangerous. The amateur tree trimmer, or a child, can be electrocuted when a branch touches a power line and runs to ground across the branch and down the tree trunk. Utilities (and their customers) pay millions of dollars every year to have trees trimmed to avoid the danger of limbs growing into power lines. By following these simple guidelines for tree planting, you can protect your tree from unnecessary trimming and help ensure reliable electric service.

## Rules of Thumb for Tree Planting

Trees whose mature height does not exceed 15 feet fit comfortably under electric lines, and are not likely to need trimming for public safety and electric reliability reasons. The following list offers more specific guidelines for tree planting. Trees with mature heights of no more than 15 feet can be planted under power lines. Trees with mature heights greater than 60 feet should be planted at least 35 feet away from power lines. These guidelines are for planting near distribution power lines. If your home will have an overhead electric service, you should avoid planting any tree within 10 feet of the expected service.

## Rules of Thumb for Planting Shrubs, Bushes and Equipment Clearances

Although most shrubs and bushes do not grow tall enough to impact overhead power lines, they do require special planning and care when planted around the padmount transformer boxes used for underground power lines. The transformer has to be accessible for service at all times, so avoid planting foliage with thorns, such as caragana, barberry, buckhorn, or native hawthorne. Also, ground covers don't stand up to foot traffic, so please don't use them either. Your local nursery should be able to help you select the appropriate plants.

Be careful of over planting, and be sure to allow sufficient growing room for the plants you do select. Vines and crawling plants are unwise choices because we need a minimum distance of 1 foot between the outside branch of the plant and the transformer. Once your plants become established, keep them pruned to allow at least 1 foot between the end of the branch of the mature plant and the transformer. Also, a clearance zone of at least 10 feet is required in front of the transformer door (the side with padlock), and at least 4 feet on all the other sides. That distance is needed so our service people can work safely with the live electrical wires in the box. Please keep this zone free of firewood or other stored materials and avoid planting any shrubs or bushes within this zone. Also please avoid building fences, decks, or other structures within the clearance zone. A clearance of 10 feet minimum is required between the transformer and any combustible wall.

## PLEASE BE SAFE

Before you dig to plant trees, bushes, shrubs, or gardens, please make certain you know the location of the underground power, gas, and other utility lines. The law requires it, and you really don't want to tangle with the utility lines anyway. Call for existing underground utility locations at least two (2) working days prior to digging. Utilities can be located free of charge by calling the National 811 "Call Before You Dig" number.

## Trimming Existing Trees

If your construction site already has trees growing, check to make sure these trees are not in the way of new utility lines being installed for your service. For information on how to trim or remove trees in anticipation of new utility lines, please contact your local arboriculturist. Tree trimming or removal costs for new construction are your responsibility. We are always concerned for our customer's safety. If you have trees with live power lines running through them, please contact CNMEC at (505)832-4483. We'll check them out to see if they need to be trimmed.

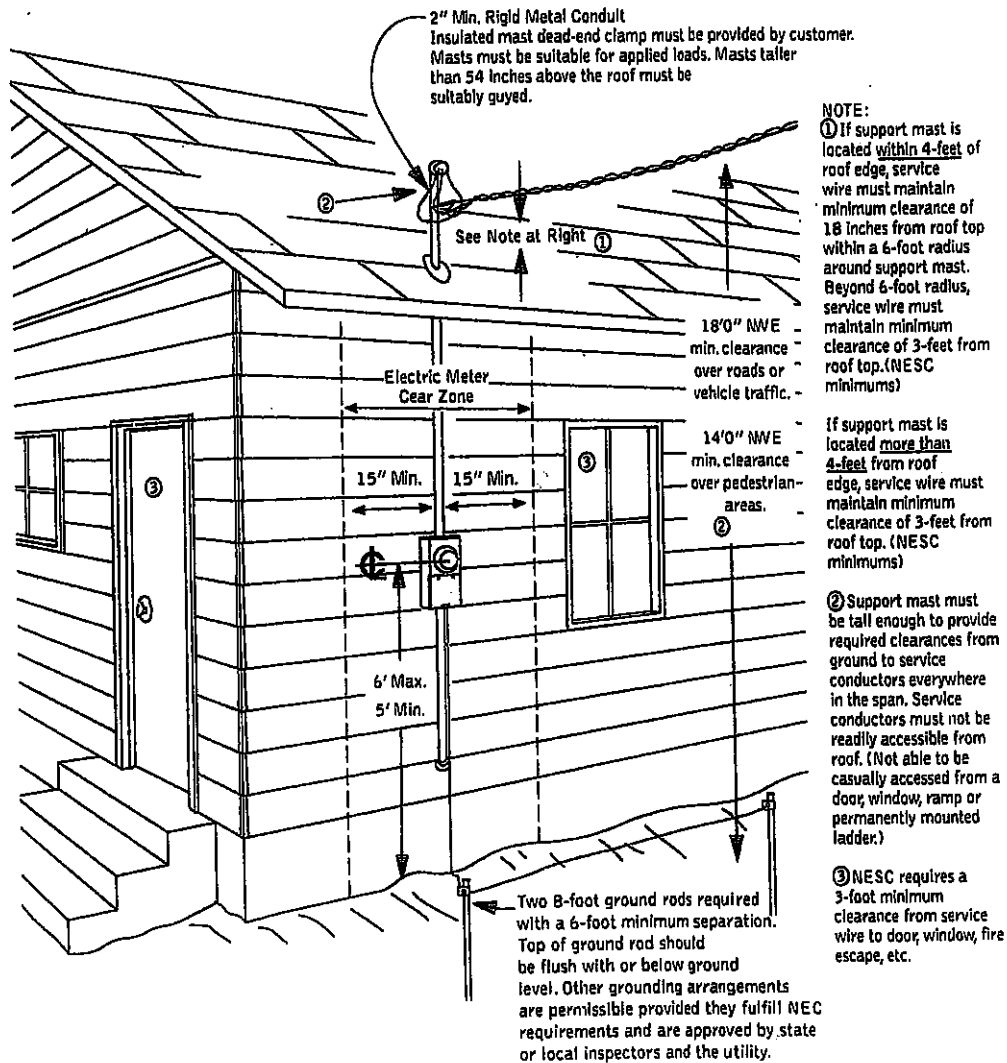
## CALL BEFORE YOU DIG?

Not only is it the law, its good common sense to be safety smart. Calling before you dig can save lives and prevents losses. The National 811 "Call Before You Dig" number arranges for free locates of major underground utilities; electric, natural gas, and telephone – all with just one call.

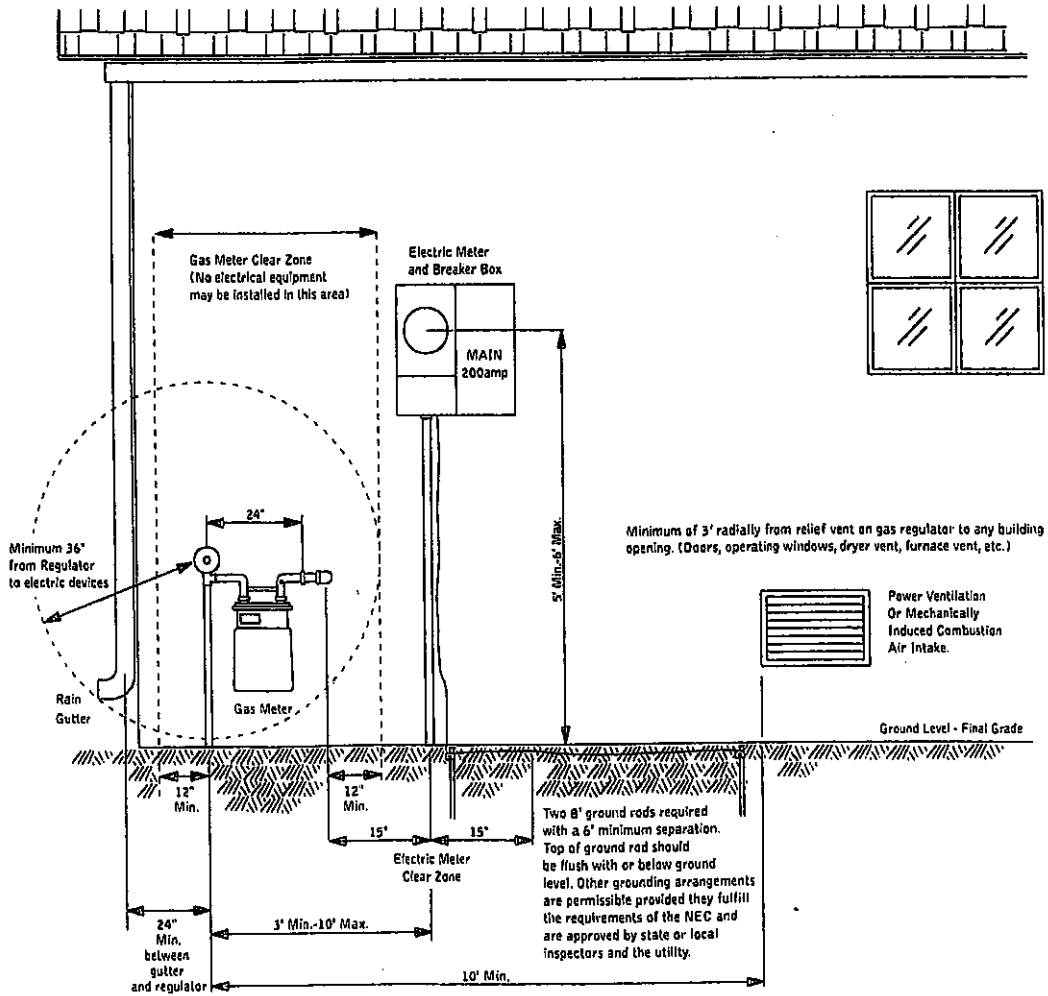


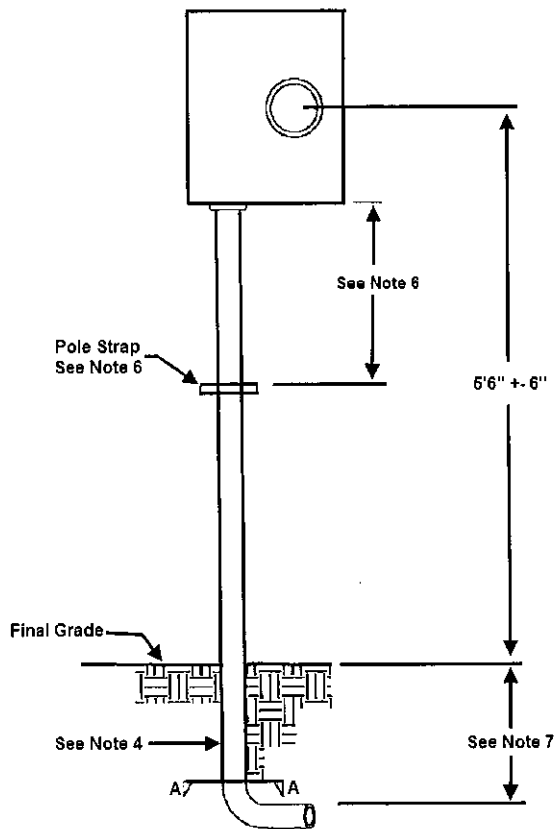
# new electric construction guidelines continued...

## Overhead Service Installation



# Meter Set Location





Residential Underground Service Entrance Conduit Size (Internal Diameter)			
Service Distance (ft)	*125A Class Meter Socket	200A Class Meter Socket	320A Class Meter Socket
100' or Less	2.5"	2.5"	3"
Greater Than 100'	3"	3"	3"

Contact your new service representative with the meter location and estimated load for more information.

\*For manufactured and mobile homes ONLY

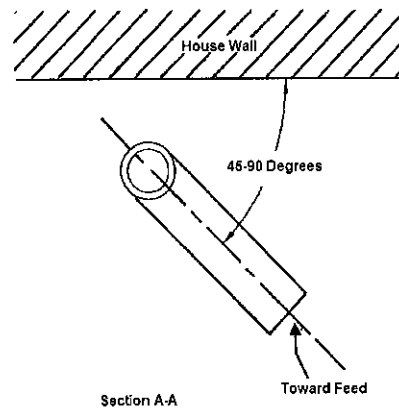
Main breaker larger than 320 Amps See MS-3-7.0

#### NOTES

- (1) Meter socket, rigid galvanized, Schedule 80 PVC or IMC conduit and elbow plus plastic bushing to be supplied and installed by customer. The elbow must be 90 degrees and the intake of conduit must be parallel to the final finished grade. However, the combination of elbows are permitted as long as the summation of the total does not exceed 135 degrees and the intake of the conduit must remain parallel to the final finished grade.
- (2) Customer to install 11600V insulated conductor from meter socket to safety switch or distribution panel.
- (3) Customer shall install grounding system in accordance with NEC
- (4) Prefabricated riser assemblies may be used if internal conduit diameter is maintained "Muffler" bends are unacceptable Use one piece of conduit from elbow to meter socket
- (5) A locale meter on the side of a home, it must be within 10' of the street side of the house, but not behind stemwalls, sidewalls or other encumbrances.
- (6) Pipe strap shall be firmly attached to wall Distance from meter box may be increased to a maximum of 5' where structural members do not need permit fastening within 3'
- (7) Standard minimum  $\gamma$  may vary to match detail depths
- (8) 125A Meter socket is only applicable for manufactured and mobile homes

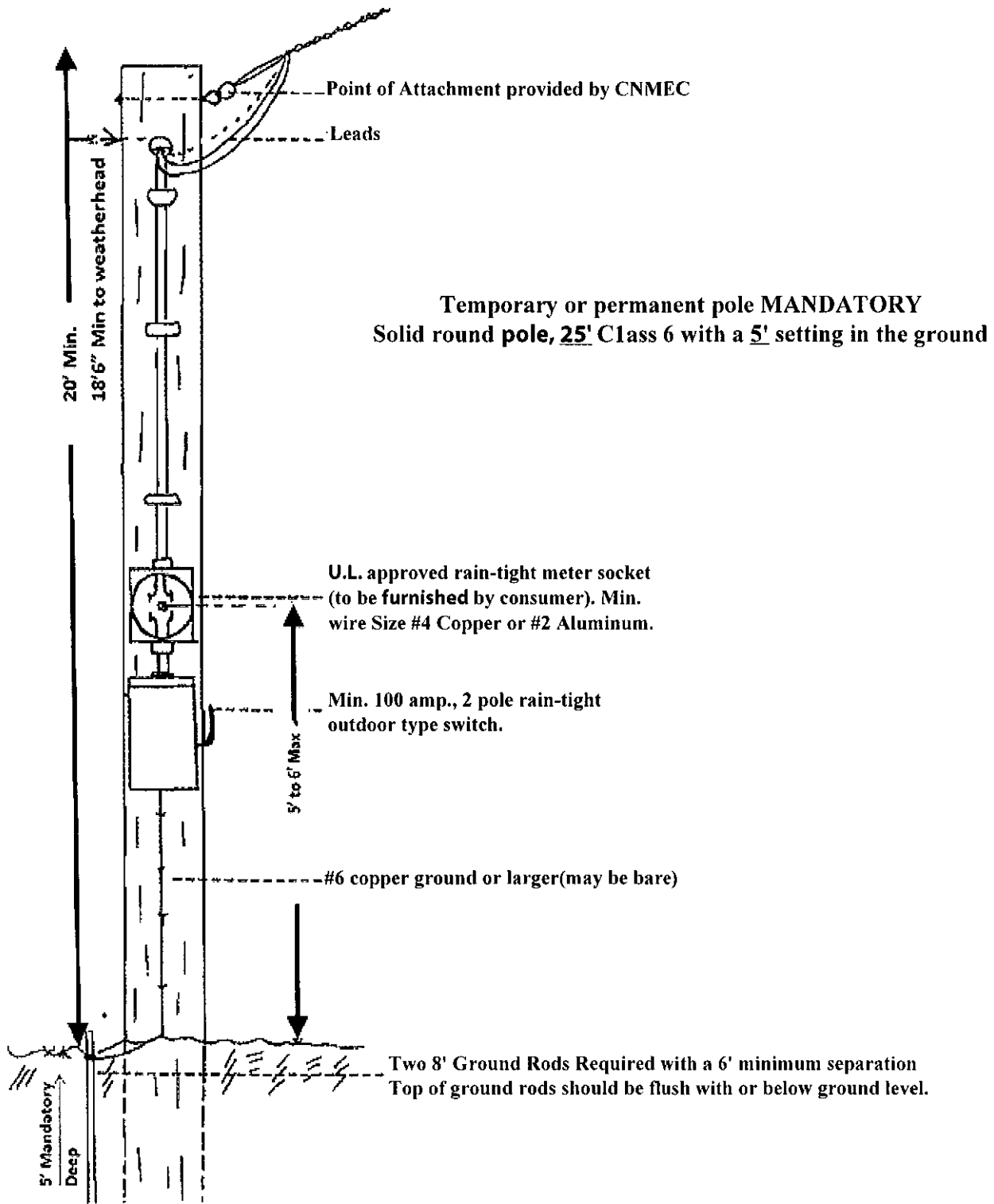
#### REFERENCES

- (1) See OM-4-11.0 Maximum Available Fault Current
- (2) See OS-10-8.0 Trench Details
- (3) See MS-2-2.0 120/240V 125/200A Single-Phase Meter Socket
- (4) See MS-7-1.0 Underground or Overhead Working Space for Electric Meters



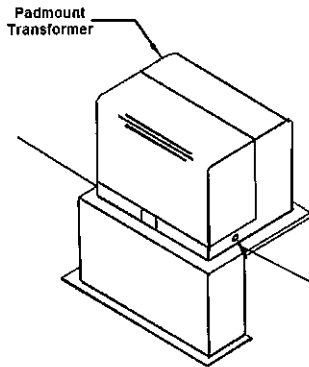
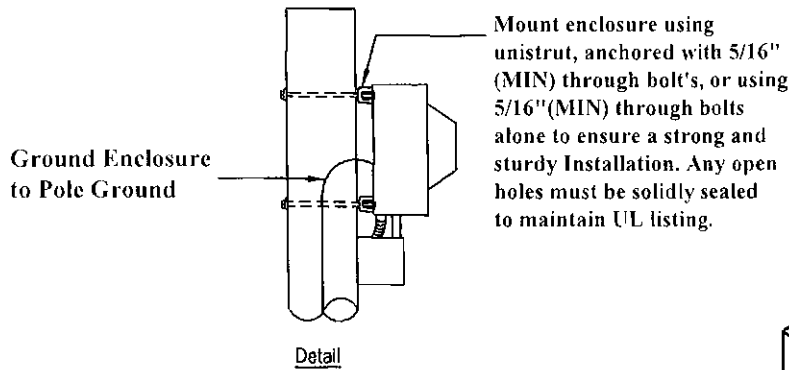
Central New Mexico Electric Cooperative Inc.

Temporary or Permanent Pole Requirements  
120/240 single phase 3 wire service pole mounted permanent or temporary  
service installation

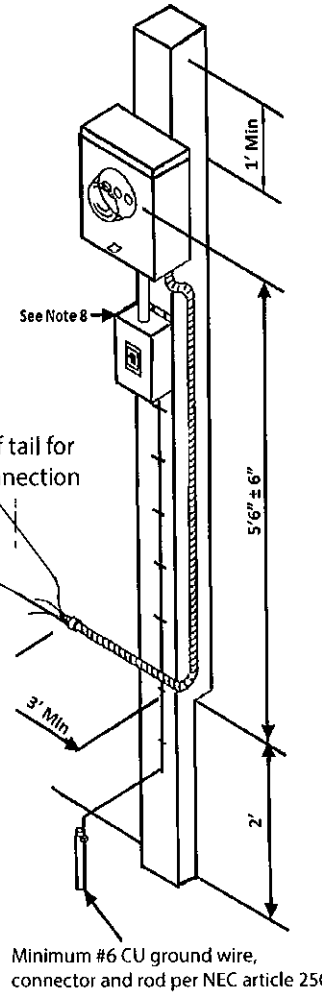


Temporary or permanent pole **MANDATORY**  
Solid round pole, 25' Class 6 with a 5' setting in the ground

Note: Temp loops are for temporary service only,  
and may not be used as a permanent installation



Leave 48" of tail for CNMEC Connection



Minimum #6 CU ground wire, connector and rod per NEC article 250

**NOTES**

- (1) Minimum timber size is 4" x 4".
- (2) For allowable timber treatment see chart
- (3) The flexible conduit must be 1" minimum to 1 1/4" maximum ID. A reducer and washers must be supplied to provide for connection to the 2" knockout in the pedestal or transformer. 3/4" flex conduit would be acceptable with a 3/4" to 1" adapter. Adapter must meet NEC and local code authority
- (4) Customer service shall be notified to assure proper location of the construction service pole.
- (5) If a pedestal or transformer is not adjacent the property to be served, the contractor shall contact customer service for requirements.
- (6) CAUTION: 2' depth should not be exceeded because of power and telephone cables below. No pole may be located closer than 3' to a transformer or a pedestal.
- (7) If allowed by local code authority, a wire wrap ground consisting of a minimum of 12' of #6 AWG or larger bare copper extended to the bottom of the construction service pole may be used. A separate copper grounding electrode conductor sized in accordance with NEC table 250-94 must be provided for connection to transformer or service pedestal
- (8) Neutral conductor must be insulated.
- (9) Weatherproof circuit breaker in accordance with NEC.
- (10) Street, lot, or space marked on switch box.

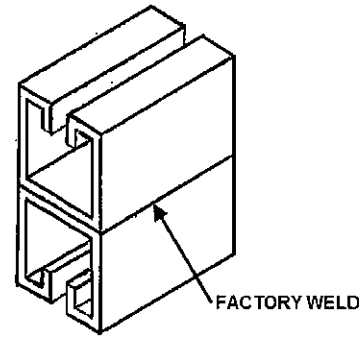
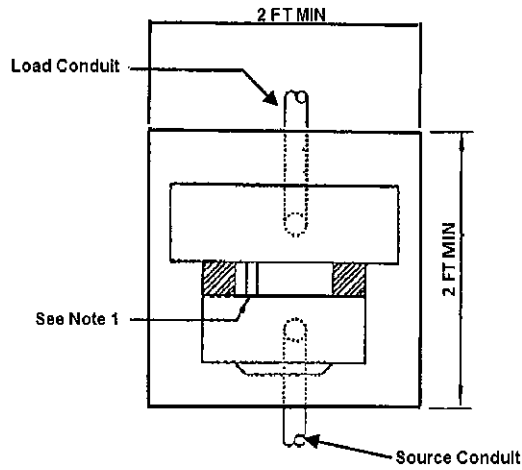
**REFERENCES**

- (1) See DM-4-11.0 Maximum Available Fault Current
- (2) See MS-7-1.0 Underground and Overhead Working Space for Electric Meters

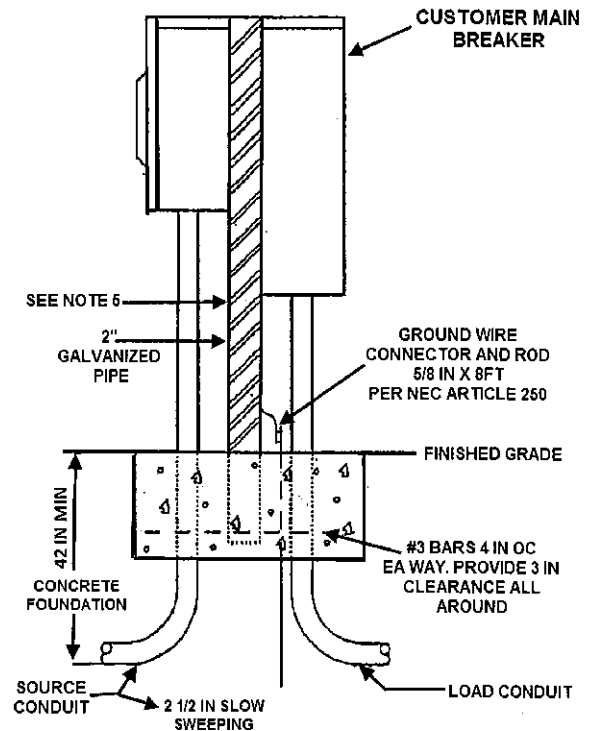
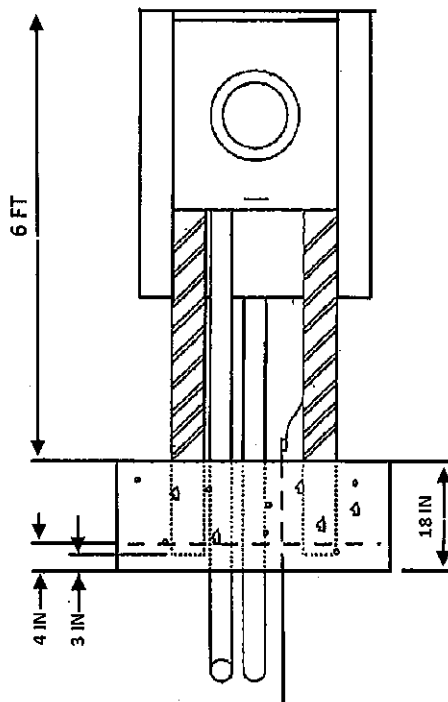
TreatmentChart

Type	Creosote	CCA	Penta
Requirement	B	FL	FLP
B	Butt lower 6' of timber		
FLP	Full Length Pressure treatment		
CCA	Copper chromium arsenate		
Penta	Pentachlorophenol		
FL	Full length hot/cold treatment		
FLP, Full length pressure treatment or hot/cold CCA treatment will provide a more durable pole for the customer, and is recommended.			

**CNMEC  
DISTRIBUTION  
STANDARD**



**P1001 UNISTRUT DETAIL**



**NOTES**

- (1) Use Rigid nipple between meter socket and main breaker
- (2) Equipment shall be securely attached to support members either bolted directly or mounted to metal channel or unistrut cross members
- (3) Rigid galvanized or IMC conduit shall be used for source/load conduits
- (4) Guard posts will be required in the traffic areas as specified
- (5) Acceptable support member are as follows: 2" Galvanized Pipe

**REFERENCES**

- (1) See DS-4-11.0 Maximum Available fault currents
- (2) See DS-7-16.10 Guard Post
- (3) See DS-19-11.1 Single-Phase 200 AMP Meter Socket
- (4) See DS-19-11.3 Single-Phase 300 AMP Meter Socket
- (5) See DS-19-11.4 Three-Phase 200 AMP Four-Wire Wye or Delta Meter Socket
- (6) See DS-19-11.8 Single-Phase 120/240 Volt 100/200 AMP Meter Socket with bypass handle.

OS-19-77 .1

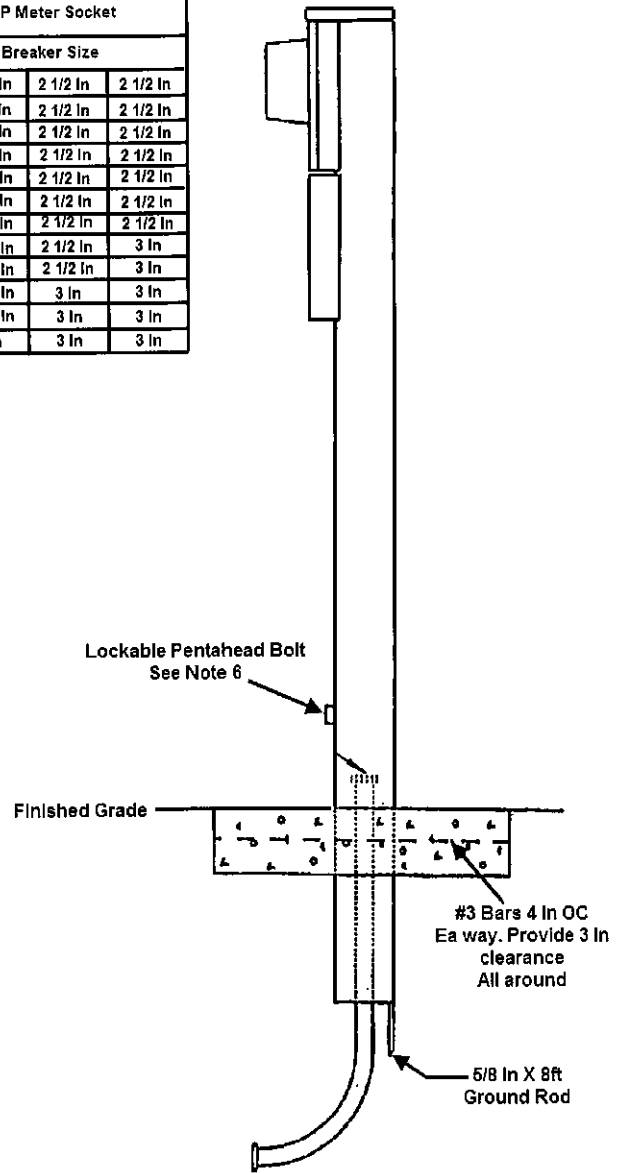
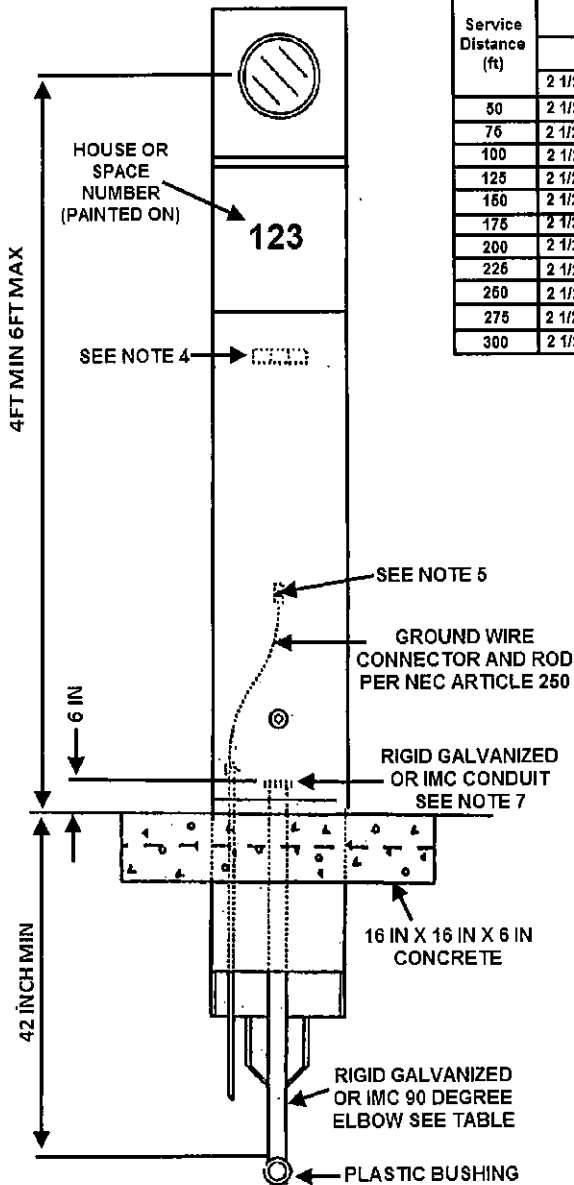
**200 AMP SINGLE-PHASE OR THREE-PHASE PEDESTAL METERING**

1/01/93

p

Residential Service Entrance Conduit Size

Service Distance (ft)	200 AMP Meter Socket			
	Main Breaker Size			
	2 1/2 In	2 1/2 In	2 1/2 In	2 1/2 In
50	2 1/2 In	2 1/2 In	2 1/2 In	2 1/2 In
76	2 1/2 In	2 1/2 In	2 1/2 In	2 1/2 In
100	2 1/2 In	2 1/2 In	2 1/2 In	2 1/2 In
125	2 1/2 In	2 1/2 In	2 1/2 In	2 1/2 In
150	2 1/2 In	2 1/2 In	2 1/2 In	2 1/2 In
175	2 1/2 In	2 1/2 In	2 1/2 In	2 1/2 In
200	2 1/2 In	2 1/2 In	2 1/2 In	3 In
226	2 1/2 In	2 1/2 In	2 1/2 In	3 In
250	2 1/2 In	2 1/2 In	3 In	3 In
275	2 1/2 In	2 1/2 In	3 In	3 In
300	2 1/2 In	3 In	3 In	3 In



NOTES

- (1) Pedestal constructed from 14 gauge steel with corrosion resistant finish.
- (2) Meter socket minimum rating 100 AMP factory wired in separate wireway from terminal block to meter socket.
- (3) For services larger than 100 AMP a factory-rated 200 AMP pedestal must be used
- (4) Insulated stud terminal block or bus pads to accommodate CNMEC connections
- (5) Pedestal bonding lug grounding conductor must be continuous to breaker panel grounding terminal.
- (6) Termination section to have removable raintight cover with provision for padlocking over captive pentahead bolt. All other removable portion of termination section must be sealable.
- (7) Alternate: If plastic conduit is used in place of rigid it must be encased in 2in of concrete from where it enters metal enclosure to 18in below ground level.
- (8) Contact your new service representative with the meter location and estimated load for more information.

References

- (1) See DS-4-11.0 Maximum Available fault currents

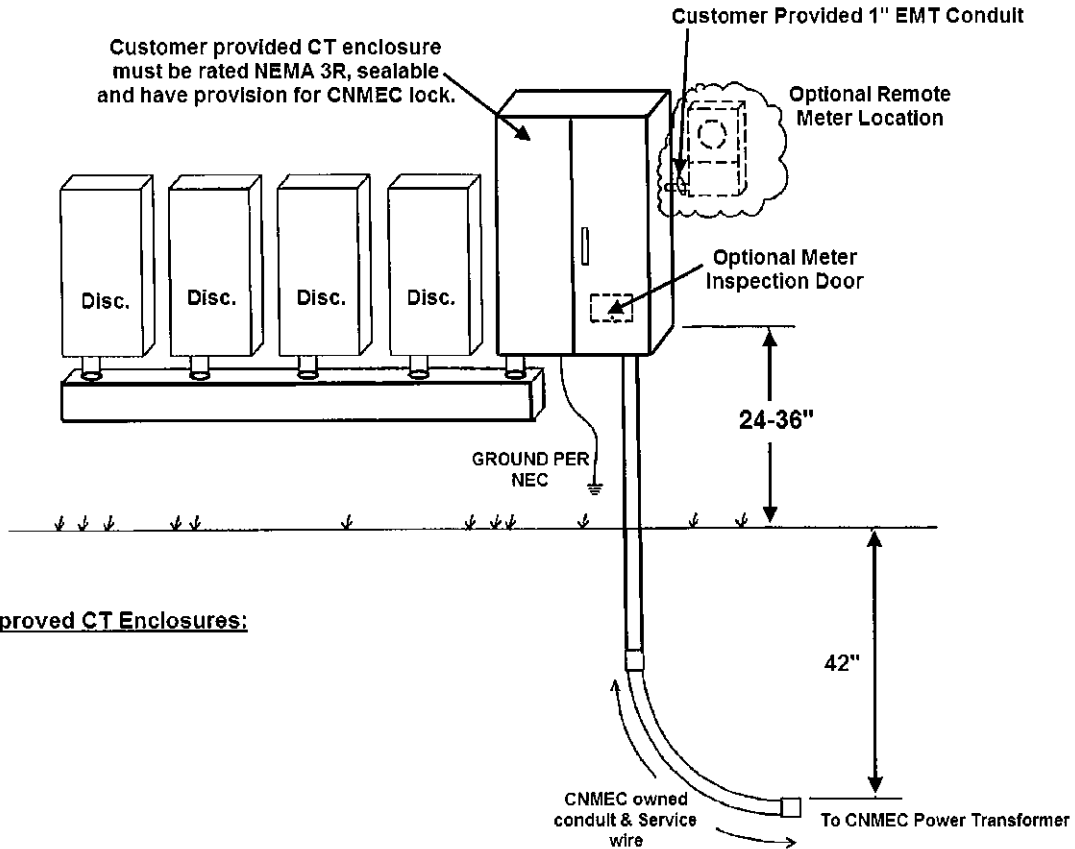
120/240V 100 AMP or 200 AMP  
Pedestal Metering

DS-19-84.0

1/01/94

P

CNMEC owned meter base is installed by customer and must be adequately supported on a building wall or suitable structure.



**List of Approved CT Enclosures:**

- XX
- XX

**CNMEC Provides:**

CT meter base, CT's, meter, CT wiring, and connections, service wire.

**Customer Provides:**

Building or structure to attach the CT enclosure and CT meter base.  
 CT enclosure (must meet CNMEC specifications)  
 1" EMT conduit for the CT wires, if utilized.  
 Installation of CT meter base and 1" EMT conduit, Conduit riser(s) from the CT enclosure to the lozure located a minimum of 42" below grade.  
 Ground electrode(s), ground wires and connection to ground/bond all equipment per the NEC



810 First St.  
 PO Box 669  
 Moriarty, NM 87035  
 (505)832-4483

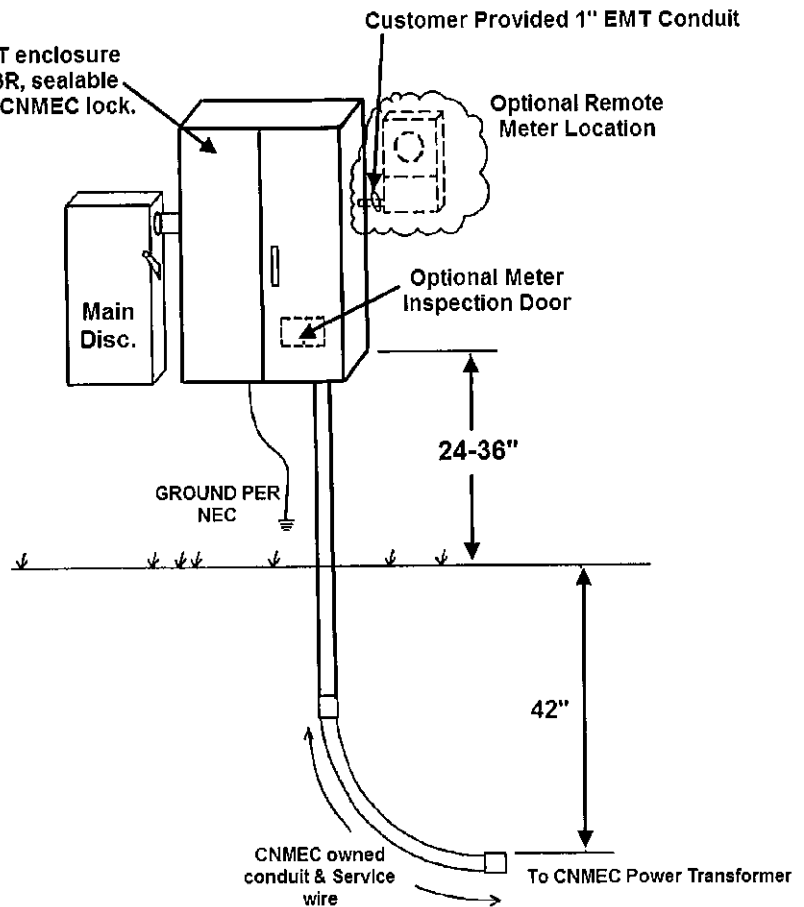
**CENTRAL NM ELECTRIC COOPERATIVE, INC**  
**NEW MEXICO 21 LINCOLN**

**Electric Service Requirements**  
**Instrument Transformer**  
**Cabinet with Multiple**  
**Disconnects**

Approved by: \_\_\_\_\_ Scale: None Issue Date: 9/24/07



Customer provided CT enclosure must be rated NEMA 3R, sealable and have provision for CNMEC lock.



CNMEC Provides:  
 CT meter base, CT's, meter, CT wiring,  
 and connections, service wire.

Customer Provides:  
 Building or structure to attach the CT enclosure and CT meter base.  
 CT enclosure (must meet CNMEC specifications)  
 1" EMT conduit for the CT wires, if utilized.  
 Installation of CT meter base and 1" EMT conduit, Conduit riser(s)  
 from the CT enclosure to the lozure located a minimum of 42"  
 below grade.  
 Ground electrode(s), ground wires and connection to ground/bond  
 all equipment per the NEC



810 First St.  
 PO Box 669  
 Moriarty, NM 87035  
 (505)832-4483

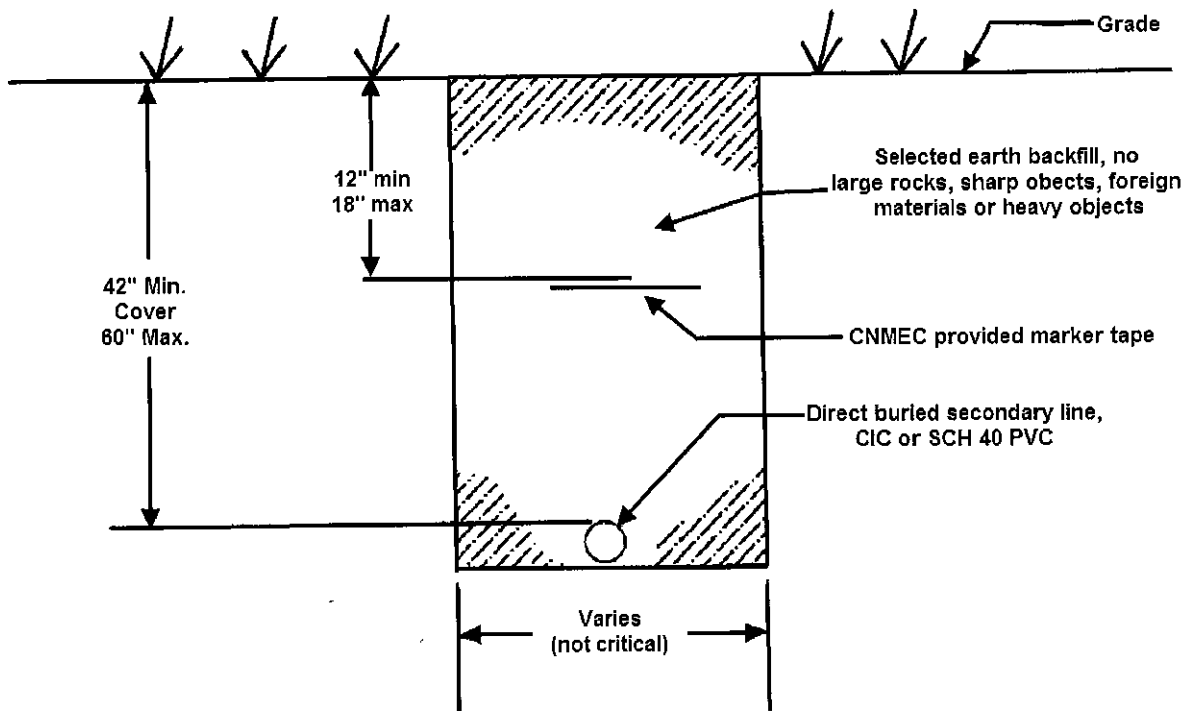
**CENTRAL NM ELECTRIC COOPERATIVE, INC**  
**NEW MEXICO 21 LINCOLN**

## ***Electric Service Requirements***

### ***Instrument Transformer Cabinet with Main Disconnect***

Approved by: \_\_\_\_\_ Scale: None Issue Date: 9/24/07

# PREFERRED INSTALLATION METHOD



**Notes:**

1. 42" minimum cover is required at all times, including grade when installed, and at finished grade
2. Secondary cable runs shall have minimum 36" separation to gas or sewer lines. Separation shall consist of un-disturbed earth.
3. Telephone or cable utilities shall maintain a 12" separation from CNMEC lines, unless random lay has been previously approved in writing by an authorized representative of CNMEC.
4. All perpendicular utility crossings must have a minimum separation of 12" from CNMEC lines.
5. No sharp bend will be allowed, ditching contractor should plan runs to building sites such that no sharp bends will be necessary to serve the facility.
6. If the above installation technique is not practical, then options shown in the secondary ditch detail may be used. Discuss these options with the staking technician prior to utilizing them on a given project.
7. Be sure to follow all appropriate New Mexico One Call Rules.



CENTRAL NM ELECTRIC COOPERATIVE, INC  
NEW MEXICO 21 LINCOLN

810 First St.  
PO Box 669  
Moriarty, NM 87035  
(505)832-4483

## Electric Service Requirements

### Secondary Ditch Detail Preferred Installation Method

Approved by

Scale: None

Issue Date: 9/24/07

**LINE EXTENSION APPLICATION**  
**PRIMARY ACCOUNT HOLDER INFORMATION**

Name: \_\_\_\_\_ if Business - Tax ID # \_\_\_\_\_

Date of Birth: \_\_\_\_\_ Drivers License #: \_\_\_\_\_ State: \_\_\_\_\_

Mailing Address: \_\_\_\_\_

City: \_\_\_\_\_ State: \_\_\_\_\_ Zip Code: \_\_\_\_\_

Contact Phone 1: \_\_\_\_\_ Contact Phone 2: \_\_\_\_\_

**SECONDARY ACCOUNT HOLDER INFORMATION**

Name: \_\_\_\_\_

Date of Birth: \_\_\_\_\_ Drivers License #: \_\_\_\_\_ State: \_\_\_\_\_

**PROPERTY LEGAL DESCRIPTION**

Street: \_\_\_\_\_

City: \_\_\_\_\_ State: \_\_\_\_\_ Zip Code: \_\_\_\_\_

Section: \_\_\_\_\_ Township: \_\_\_\_\_ Range: \_\_\_\_\_ Lands of: \_\_\_\_\_

Subdivision: \_\_\_\_\_ Lot: \_\_\_\_\_ Block: \_\_\_\_\_ Unit: \_\_\_\_\_

**SIGNATURES AND DEPOSIT**

Engineering Deposit Amount: \$ \_\_\_\_\_

Signature of Primary: \_\_\_\_\_ Date: \_\_\_\_\_

Signature of Secondary: \_\_\_\_\_ Date: \_\_\_\_\_

**CNMEC USE ONLY**

WO# \_\_\_\_\_ Staker: \_\_\_\_\_ MST: \_\_\_\_\_ Date: \_\_\_\_\_